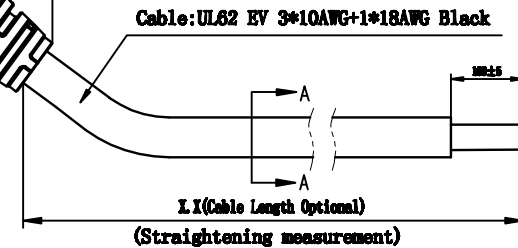
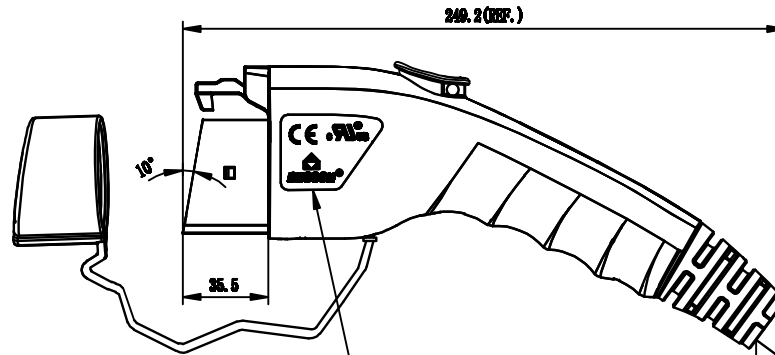
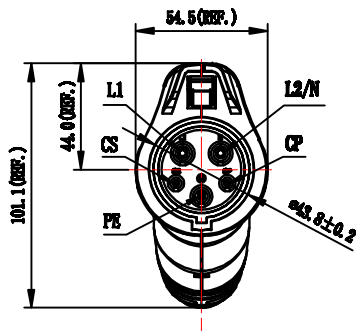
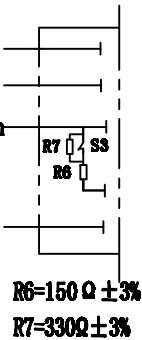


REVISION RECORD				
REV	ECN	DESCRIPTION	DRFT	DATE



Wiring diagram

- L1 10AWG Brown
- N 10AWG Blue
- PE 10AWG Yellow/Green
- CS
- CP 18AWG Red

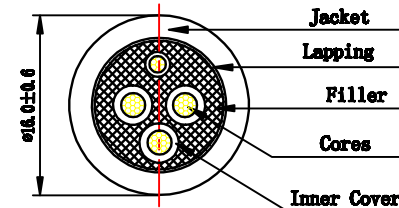


Laser Printing Front Note:

CE RoHS

Laser Printing Back Note (Arial):

MAAC-S-032A-V-03-X XM-10AH  
 32A 240V AC  
 SAE J1772:2017  
 Type 3S  
 201XXXX-XXXX



SEC A-A

MAAC-S-032A-V-03-X XM-10AH

Serial Number  
 Cable Length Optional

NOTES:

1. Cable: UL62 EV 3\*10AWG+1\*18AWG Black
2. RoHS Compliance

Technical parameters

Rated voltage	240V AC
Rated current	32A
Temperature range	-30°C~+50°C
Insulate resistance	>5MΩ, 500V DC 1Min
Withstanding voltage	L, N AND PE, 2500V AC 1Min
	L AND N, 2500V AC 1Min
Ingress protection	Type 3S
The insertion/pullout times	10000 TIMES
Insertion/pullout force	<75N
Reference standard	SAEJ1772:2017

Customer Drawing

Size Measure Range	.XX	.X
≤6	±0.05	±0.10
6~30	±0.10	±0.20
30~120	±0.15	±0.30
120~400	±0.20	±0.50
400~1000	±0.30	±0.80
1000~2000	±0.50	±1.20
Angle Measure Range	.XX	.X
	±0.5°	±1.0°

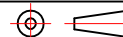
PART NO.:

DETAILED LISTS

APPR:

CHKD:

DEFT:



THIRD ANGLE PROJECTION



宁波高松电子有限公司  
 NINGBO DEGSON ELECTRICAL CO., LTD

NAME: Vehicle Connector (32A AC single phase)  
 MAAC-S-032A-V-03-X XM-10AH

TITLE: Customer Drawing

DRAWING NO.: MAAC-S-032A-CXX

DO NOT SCALE DRAWING

REV DO-1

SHEET 1/1

SCALE 1:3