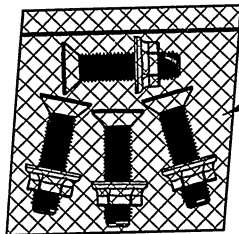
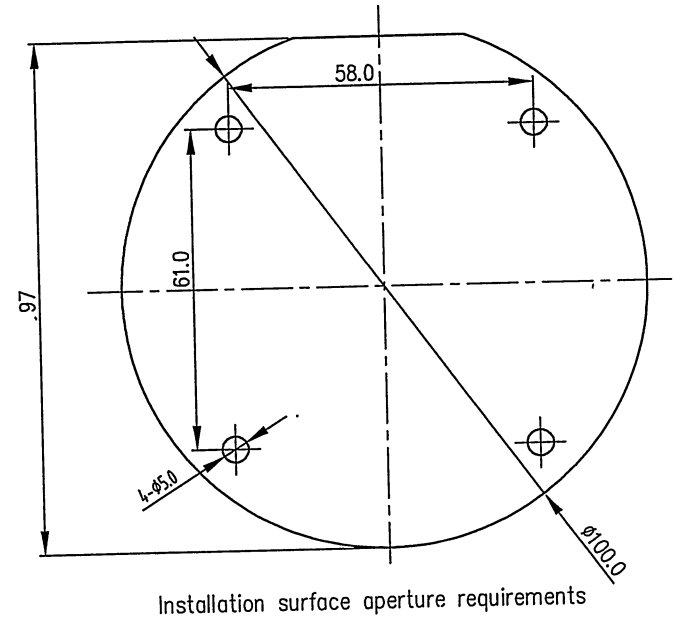
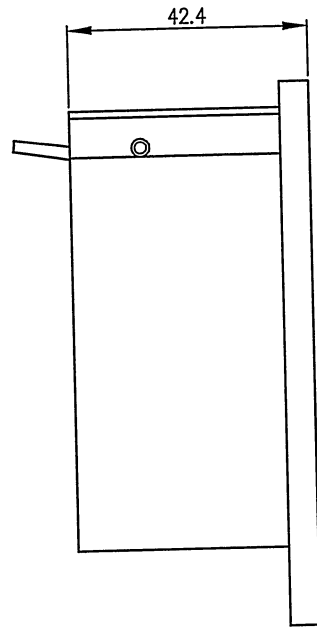
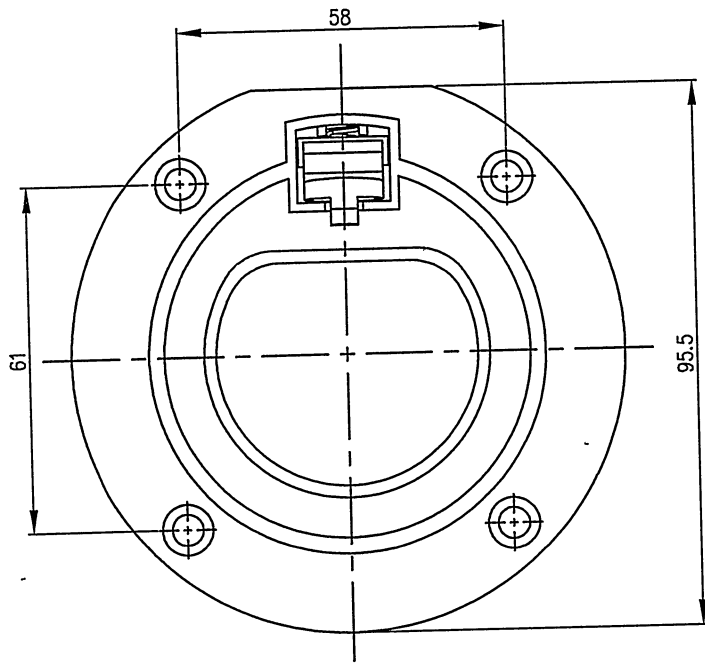


REVISION RECORD				
REV	ECN	DESCRIPTION	DRFT	DATE



M4*20mm Material: SUS304
The mounting screws are individually packaged

Size Measure Range	.XX	.X
≤6	±0.05	±0.10
6~30	±0.10	±0.20
30~120	±0.15	±0.30
120~400	±0.20	±0.50
400~1000	±0.30	±0.80
1000~2000	±0.50	±1.20
Angle Measure Range	.XX	.X
	±0.5°	±1.0°

MATERIAL	FINISHING	NOTES
PART NO.:	宁波高松电子有限公司 DEGSON ® NINGBO DEGSON ELECTRICAL CO., LTD	
APPD: H152018.7.4	NAME: FEAC-V-03-01AH	
CHKD: LPH2019.07.06	TITLE: CUSTOMER DRAWING	REV: D0-1
DRFT: LHW 2019.07.03	DRAWING NO.: FEAC-V-C01	SHEET: 1/1
THIRD ANGLE PROJECTION	MM (INCH)	DO NOT SCALE DRAWING
	2	1

DETACHED LISTS

H
G
F
E
D
C
B
A